

Major Experience Of Civil Works For domestic and overseas

Major Experience



❖ Domestic

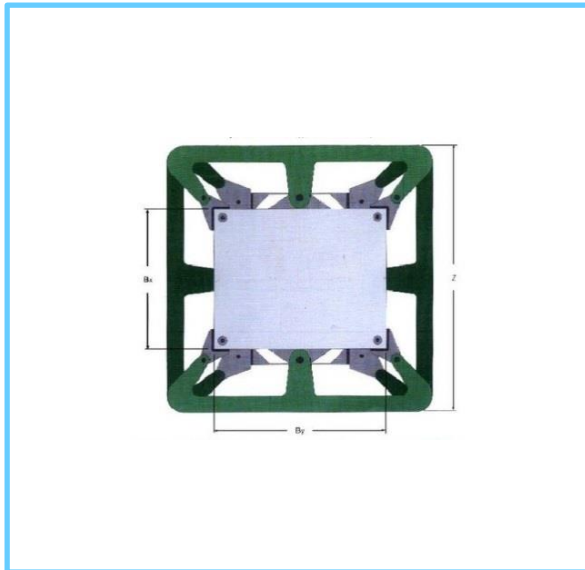
No.	Project	Country	Contractor	Construction Scale	Item	Year
1	Incheon Bridge PKG	Korea	Daelim Industrial Co.	L=18.38km, B=800m	E-Shape	2005-2009
2	Ulsan Bridge	Korea	Hyundai E&C	L=8.38km, B=1,150m	LRB	2010-2015
3	Uijeongbu Lightweight Train	Korea	GS E&C	L=10.6km, B=4.16m	RB, POT, Finger Joint	2007-2012
4	Daegu Monorail	Korea	POSCO E&C etc.	L=23.95km, B=5m	Beam Manufacture /Construct, Finger Joint	2009-2014
5	Lee Soon-Shin Bridge	Korea	Daelim Industrial Co.	L=2,260m, B=25.7m	LRB, POT	2007-2013
6	Gwang-Ahn Bridge	Korea	Daelim Industrial Co.	L=7.42km, B=24m	LRB	1994-2003
7	Bitgaram Bridge	Korea	Hyundai E&C	L=720m, B=31m	LRB, RB, FPB	2010-2013
8	Mooyeong Bridge	Korea	Hyundai E&C	L=860m, B=26.6m	Finger/Rail Joint	2011-2012
9	Yeoju-Yangpyeong Expressway 4	Korea	GS E&C	L=915m, B=12.3m	RB, LRB, Finger/Rail Joint	2006-2013
10	Baekseok Bridge	Korea	GS E&C	L=749m, B=36m	LRB, POT, Finger/Rail Joint	2010-2012
11	Kuemgang 2 Bridge	Korea	Daelim Industrial Co.	L=1,000m, B=41m	LRB, RB, Finger Joint	2011-2012
12	Kuem-ga Bridge	Korea	SK E&C	L=795.6m, B=23m	LRB, FPB, Finger Joint	2005-2013
13	An-dong Bridge	Vietnam	Hyundai Amco, RCC	L=3,526m, B=27m	LRB, POT	2009
14	Yeosu Bridge	Korea	GS E&C	L=1,945m, B=430m	POT, FPB, RB Finger/Rail Joint	2007-2012

Major Experience



Incheon Grand Bridge

Country	Korea
Contractor	DaeLim Industrial co.
Construction Period	2005y – 2009y
Construction Scale	L=18.38km, B=800m
Applied Production	E-Shape

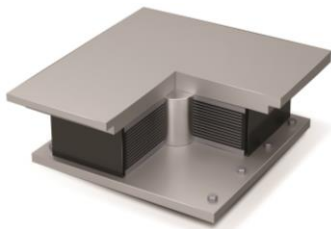


Major Experience



Ulsan Grand Bridge

Country	Korea
Contractor	HyunDai E&C
Construction Period	2010y – 2015y
Construction Scale	L=8.38km, B=1,150m
Applied Production	LRB

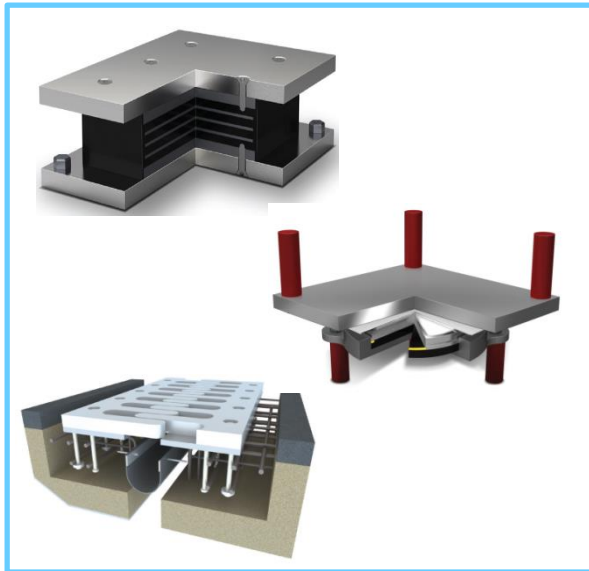


Major Experience



Uijeongbu Lightweight Train

Country	Korea
Contractor	GS E&C
Construction Period	2007y – 2012y
Construction Scale	L=10.6km, B=4.16m
Applied Production	RB, POT Finger Joint

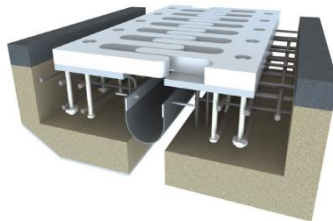


Major Experience



Daegu Monorail

Country	Korea
Contractor	POSCO E&C etc.
Construction Period	2009y – 2014y
Construction Scale	L=23.95km, B=5m
Applied Production	PSC Beam Manufacture /Construct, Finger Joint

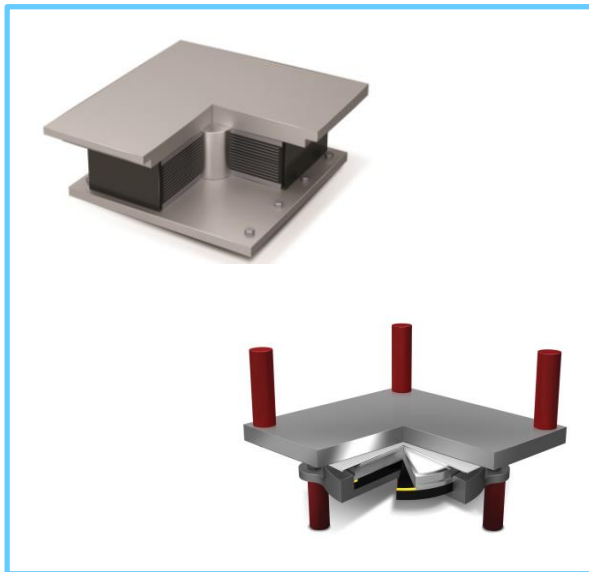


Major Experience



Lee soon-shin Bridge

Country	Korea
Contractor	DaeLim Industrial Co.
Construction Period	2007y – 2013y
Construction Scale	L=2,260m, B=25.7m
Applied Production	LRB , POT

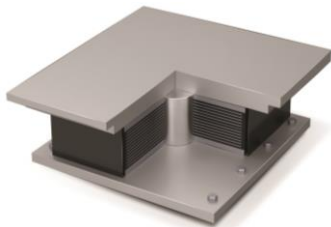


Major Experience



Gwang-Ahn Bridge

Country	Korea
Contractor	DaeLim Industrial Co.
Construction Period	1994y – 2003y
Construction Scale	L=7.42km, B=24m
Applied Production	LRB

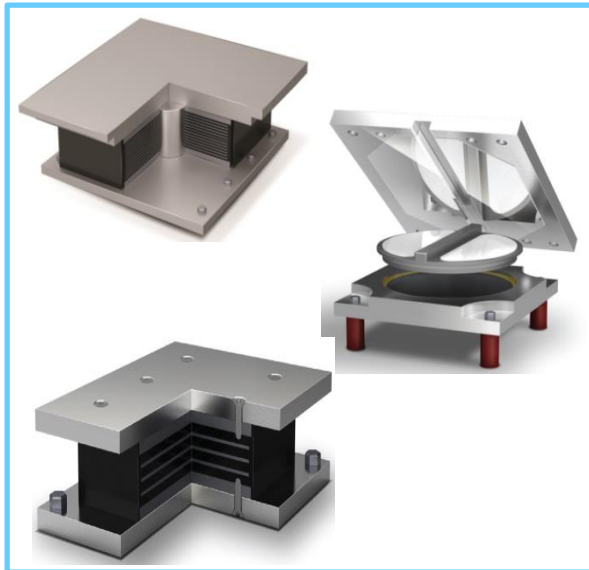


Major Experience



Bitgaram Grand bridge (Naju station-Bitgaram city road)

Country	Korea
Contractor	HyunDai E&C
Construction Period	2010y – 2013y
Construction Scale	L=720m, B=31m
Applied Production	LRB, FPB, RB

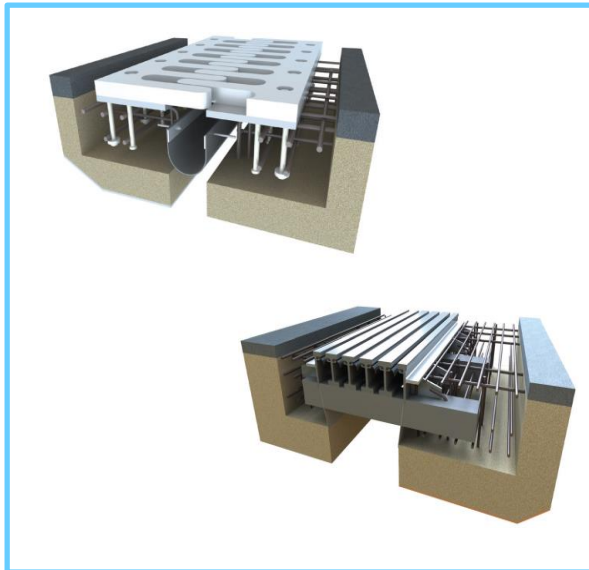


Major Experience



Mooyeong Grand bridge (Cheongho-Samho Road)

Country	Korea
Contractor	HyunDai E&C
Construction Period	2004y – 2011y
Construction Scale	L=860m, B=26.6m
Applied Production	Finger/Rail Joint

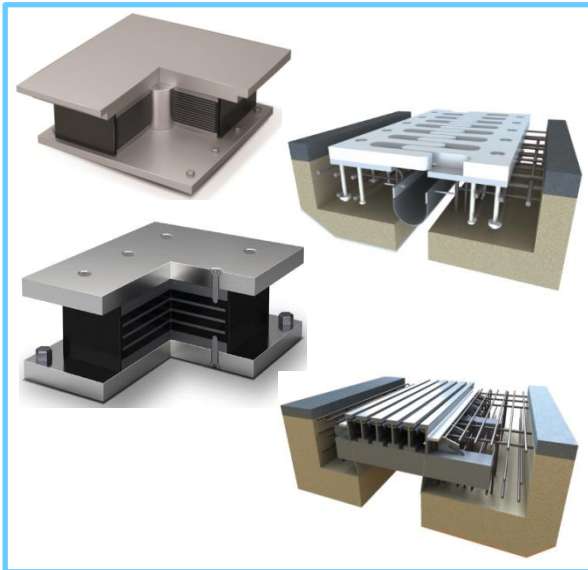


Major Experience



Yangpyeong Grand Bridge

Country	Korea
Contractor	GS E&C
Construction Period	2006y – 2013y
Construction Scale	L= 915m, B=12.3m
Applied Production	RB, LRB Finger/Rail Joint

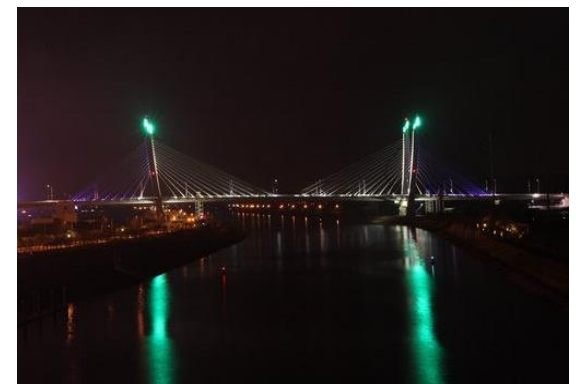
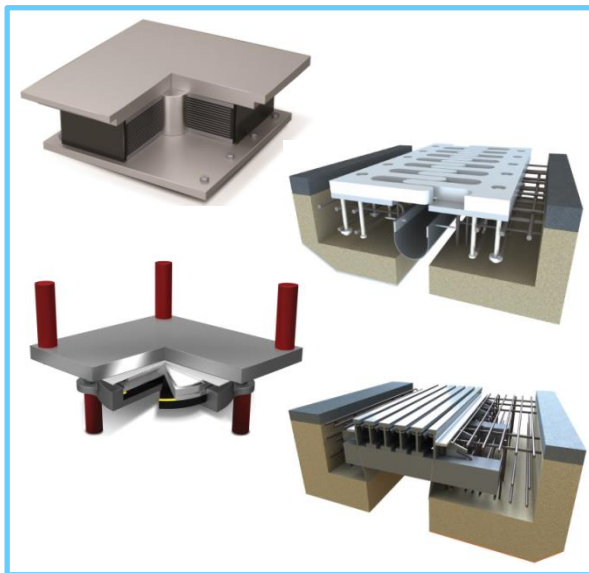


Major Experience



Baekseok Grand bridge

Country	Korea
Contractor	GS E&C
Construction Period	2010y – 2012y
Construction Scale	L=749m, B=36m
Applied Production	LRB , POT Finger/Rail Joint

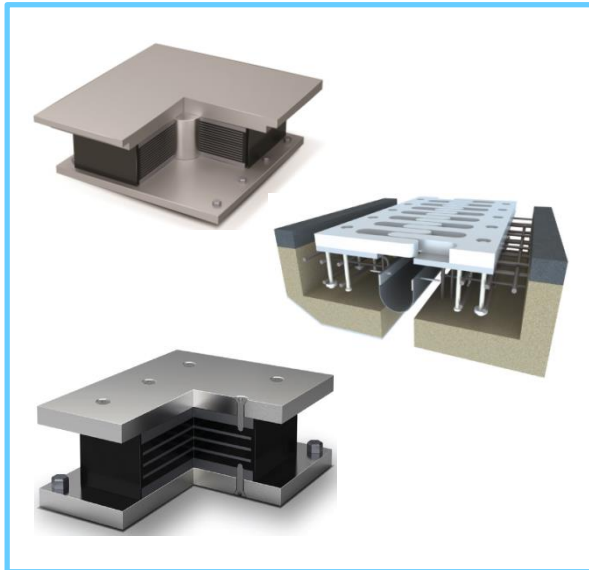


Major Experience



Handoori Grand Bridge

Country	Korea
Contractor	GS E&C
Construction Period	2011y – 2012y
Construction Scale	L=1,000m, B=41m
Applied Production	LRB , RB Finger Joint

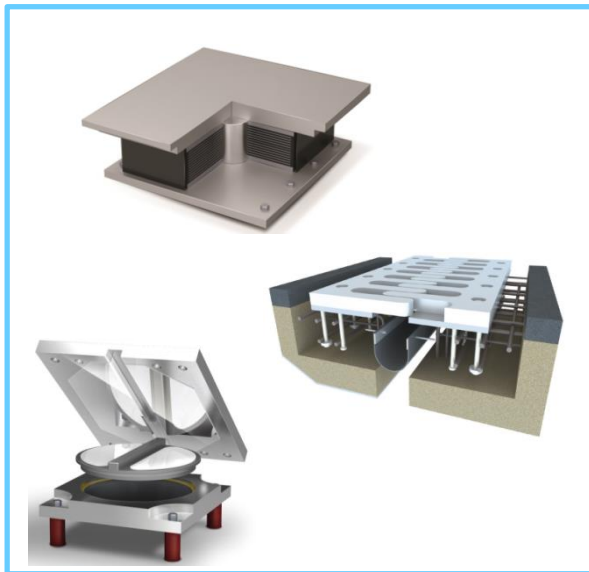


Major Experience



Ureuk Grand Bridge

Country	Korea
Contractor	SK E&C
Construction Period	2005y – 2013y
Construction Scale	L=795.6m, B=23m
Applied Production	LRB, FPB, Finger Joint

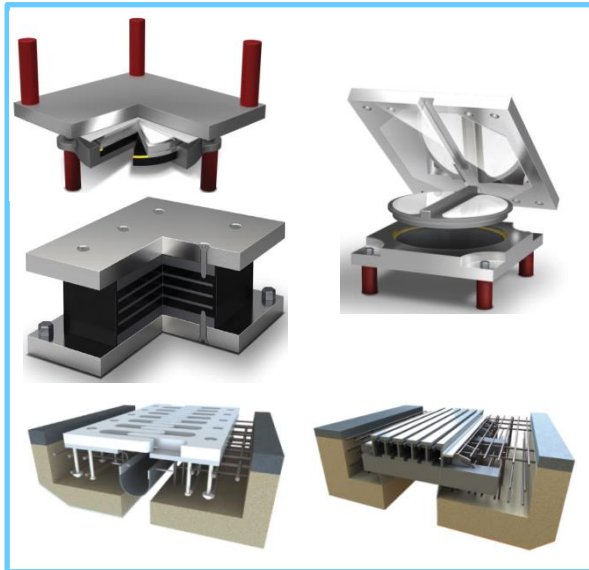


Major Experience



Yeosu Bridge

Country	Korea
Contractor	GS E&C
Construction Period	2007y – 2012y
Construction Scale	L=1,945m, B=430m
Applied Production	POT, FPB, RB Finger/Rail Joint



Major Experience



❖ Overseas

No.	Project	Investor / Client	Contractor	Buyer	Item (Ref.)	Dimension	Year
1	IZMIR LNG Tank(Seismic isolator)	Egegaz	Egegaz	Egegaz	LRB	D900	2000
2	Taiwan High-speed Rail C230	Tiwan highway speed rail	Samsung-Doosan-IE&C Joint Venture	Samsung-Doosan	LUD	225, 250TON	2008
3	Ruwais Refinery Package 7	Takreer	GS	GS	E/J	UCJ 100,120, 300, 500	2011
4	Van may 2 and Mat trat Bridge	Misistry of transport in Vietnam	MOT	Vinh Hung JSC	EB E/J	120TON UCF 50, 80	2012
5	Rabigh Power Plant No. 6	SEC	Doosan	Doosan	EB	200TON	2012
6	Binh Loi Bridge	GS E&C	Vinaconex	Vinh Hung JSC	E/J	URJ 100 UCF 100,200	2013
7	Nhat tan – Noi bai (Ca-Lo Bridge)	CIENCO 1	PMU 85	Vinh Hung JSC	EB E/J	350*450*78 UCF 110, 160	2012
8	Nhat tan – Noi bai (Nam-Hong Bridge)	CIENCO 1	PMU 85	Vinh Hung JSC	E/J	UCF 160	2013
9	Nhat tan – Noi bai (Railway flyover Bridge)	CIENCO 1	PMU 85	Vinh Hung JSC	E/J	UCF 110, 160	2013
10	Nhat tan – Noi bai (PKG No.5)	CIENCO 1	PMU 85	Vinh Hung JSC	E/J	URJ 80 UCF 160	2013

Ref. : EB – Elastomeric bearing, LRB – Lead Rubber Bearing, LUD – Lock Up Device, E/J – Expansion joint

Major Experience



❖ Overseas

No.	Project	Investor / Client	Contractor	Buyer	Item (Ref.)	Dimension	Year
11	Connecting road to Saigon university	HCMC TRANSPORT Dept. – NO.4 METROPOLITAN TRANSPORT MANAGEMENT UNIT	THANG LONG CONSTRUCTION CORPORATION	Vinh Hung JSC	EB E/J	350*300*50 300*150*50 URJ 50	2013
12	An-Dong Bridge(POT)	Ninh Thuan province traffic and transportation department	Hyun Dai AMCO / RCC	Vinh Hung JSC	POT	200TON	2013
13	An-Dong Bridge(LRB)	Ninh Thuan province traffic and transportation department	Hyun Dai AMCO / RCC	Vinh Hung JSC	LRB	700,2900, 3600,3700, 3800TON	2013
14	390 JUNCTION PROJECT – HAI DUONG PROVINCE	HAI DUONG PROVINCE TRAFIC AND TRANSPORTATION DEPARTMENT	789 CORPORATION- DEPARTMENT OF DEFENCE	Vinh Hung JSC	E/J	Finger 100	2013
15	Ong Co Bridge	Binh Duong provincial transportation bureau	Cienco 1- South branch	Vinh Hung JSC	POT	2000TON Etc.	2014
16	Southern Coastal Corridor PJT	Cuu Long CIPM	Ssang Yong E&C	Vinh hung JSC	EB	450*250*50 400*200*50 450*350*78	2014
17	TCDY PJT	Istanbul municipality	Farrin	Arfen Turkey	LRB	1600*1300*216 900*1200*216 Ø1300*216	2014
18	Noi Bai International Airport to Nhat Tan Bridge Connection Road (Nguyen Khe bridge)	PMU 85	Keang nam	Vinh Hung JSC	E/J	Finger 160	2014
19	Noi Bai International Airport to Nhat Tan Bridge Connection Road (Nh.2 bridge)	PMU 85	Keang nam	Vinh Hung JSC	E/J	Finger 110 Finger 160	2014
20	Vam Cong Bridge(Approach)	Cuu Long CIPM	GS E&C	Vinh Hung JSC	POT EB	180TON 250*650*85T	2014

Ref. : EB – Elastomeric bearing, LRB – Lead Rubber Bearing, LUD – Lock Up Device, E/J – Expansion joint

Major Experience



❖ Overseas

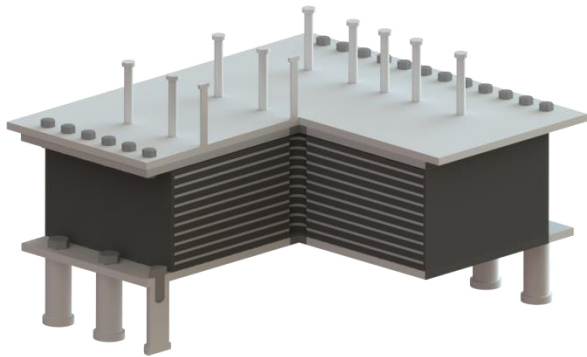
No.	Project	Investor / Client	Contractor	Buyer	Item (Ref.)	Dimension	Year
21	Bolivia Banegas Bridge	Bolivia	Hyundai Development Company	BNG Consultant	LRB	600, 1100 1300TON	2015
22	Ajara bypass roads development project	Ministry of regional development of Georgia	Sinohydro	Arfen Turkey	LRB POT	LRB – 1100, 1200TON POT – 450TON	2015
23	Southern Coastal Corridor	Cuu Long CIPM	Ssang Yong E&C	Vinh hung JSC	E/J	Finger 160	2015
24	Sheikh Jaber Al – Ahmad Al – Sabah Causeway project(Main link) Off shore part	MPW (Ministry of public works)	Hyundai E&C	Hyundai E&C	EB	1100*1100*344 Etc.	2015
25	Sheikh Jaber Al – Ahmad Al – Sabah Causeway project(Main link) On shore part	MPW (Ministry of public works)	CGCC	CGCC	EB	900*900*397 Etc.	2015
26	Moharram Beck Bridge	Egypt Government	Arab Contractor	Direction E&I	EB	400*200*70 400*250*70 400*300*81	2015
27	Sheikh Jaber Al – Ahmad Al – Sabah Causeway project(Doha link)	MPW (Ministry of public works)	GS E&C	GS E&C	EB	900*900*290 Etc.	2016
28	Therma Visayas Energy Project	Therma Visayas, Inc.,	Hyundai Engineering	SB Construction	EB	250*400*93	2016
28	Cao Lang Bridge	Cuu Long CIPM	CRBC	VinhHung JSC	EB	1550*1050*222 Etc.	2016
29	Bach Dang Bridge	BOT Bach Dang Bridge JSC	BOT Bach Dang Bridge JSC	VinhHung JSC	POT	1250kN	2016

Ref. : EB – Elastomeric bearing, LRB – Lead Rubber Bearing, LUD – Lock Up Device, E/J – Expansion joint

Major Experience



Sheikh Jaber-Al Ahmad-Al Sabah Causeway project(Main link), RA140

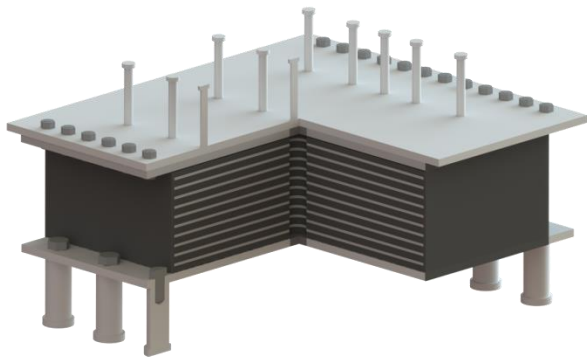


Country : Kuwait
Client : MPW(Ministry of Public Works)
Contractor : HyunDai E&C, CGCC
Period: 2015 - Present
Records of supply : Elastomeric bearing

Major Experience



Sheikh Jaber-Al Ahmad-Al Sabah Causeway project(Doha link), RA214



Country : Kuwait
Client : MPW(Ministry of Public Works)
Contractor : GS E&C
Period: 2015 - Present
Records of supply : Elastomeric bearing

Major Experience



Izmir LNG Tank Terminal(Seismic isolator)

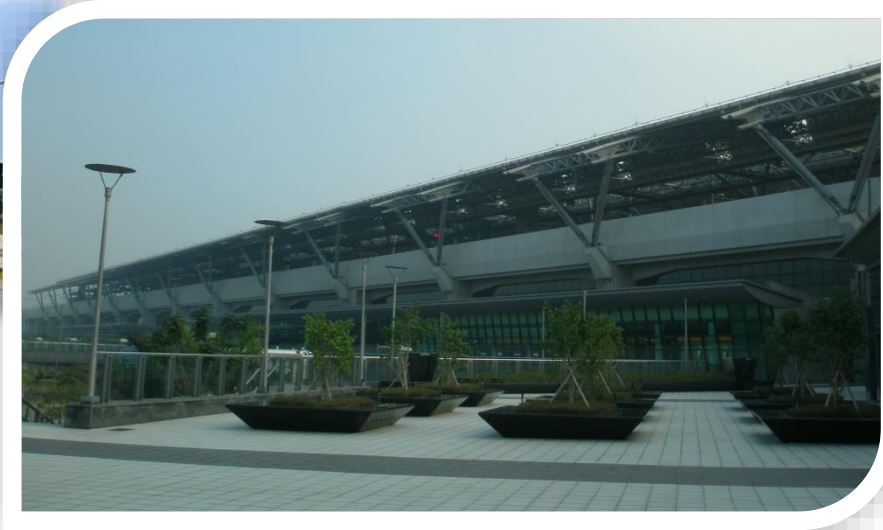


Country : Turkey
Client and contractor : EgeGaz
Period: 1999y – 2000y
Records of supply: LRB(D900 – 806EA)

Major Experience



Taiwan High-speed Rail C230

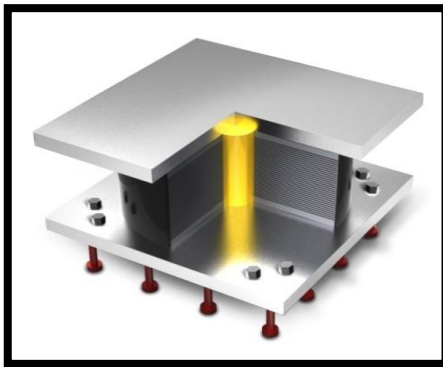
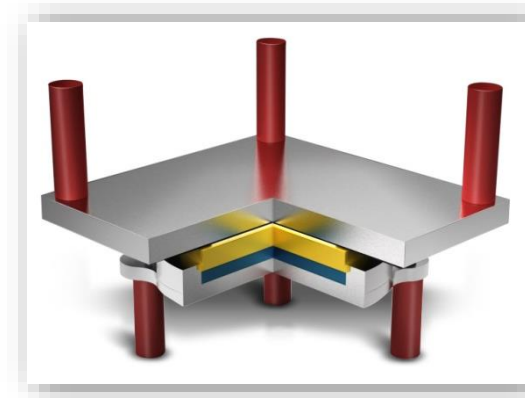


Country : Taiwan
Client : Taiwan highway speed rail
Contractor : Samsung-Doosan
Period: 1999y – 2000y
Records of supply: LUD 225, 250TON

Major Experience



An-Dong Bridge

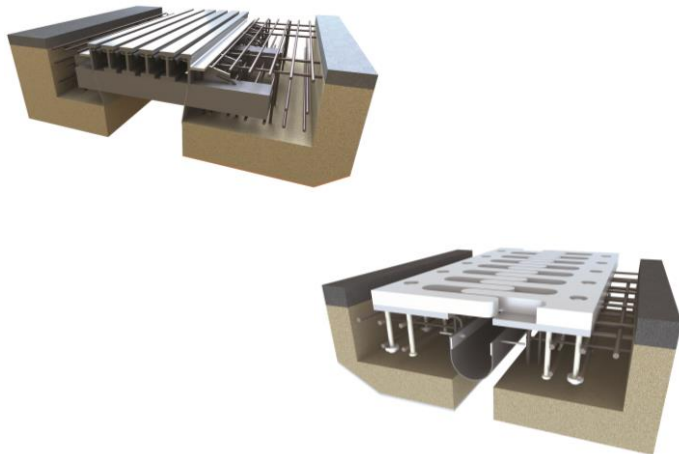


Country : Vietnam
Client : Ninh Thuan province traffic and transportation department
Contractor : Hyundai Amco, RCC
Buyer : Vinh Hung JSC
Period: 2014 - 2015
Records of supply: LRB, POT, Expansion joint

Major Experience



TAN SON NHAT - BINH LOI - OUTER RING ROAD PROJECT (Binh Loi Bridge)

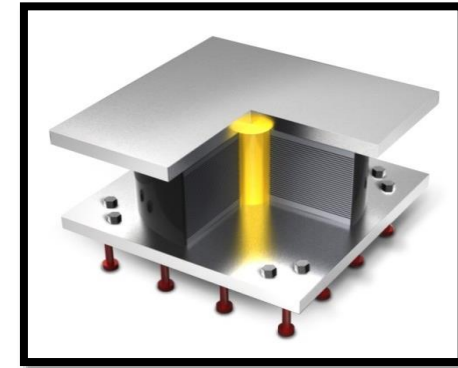
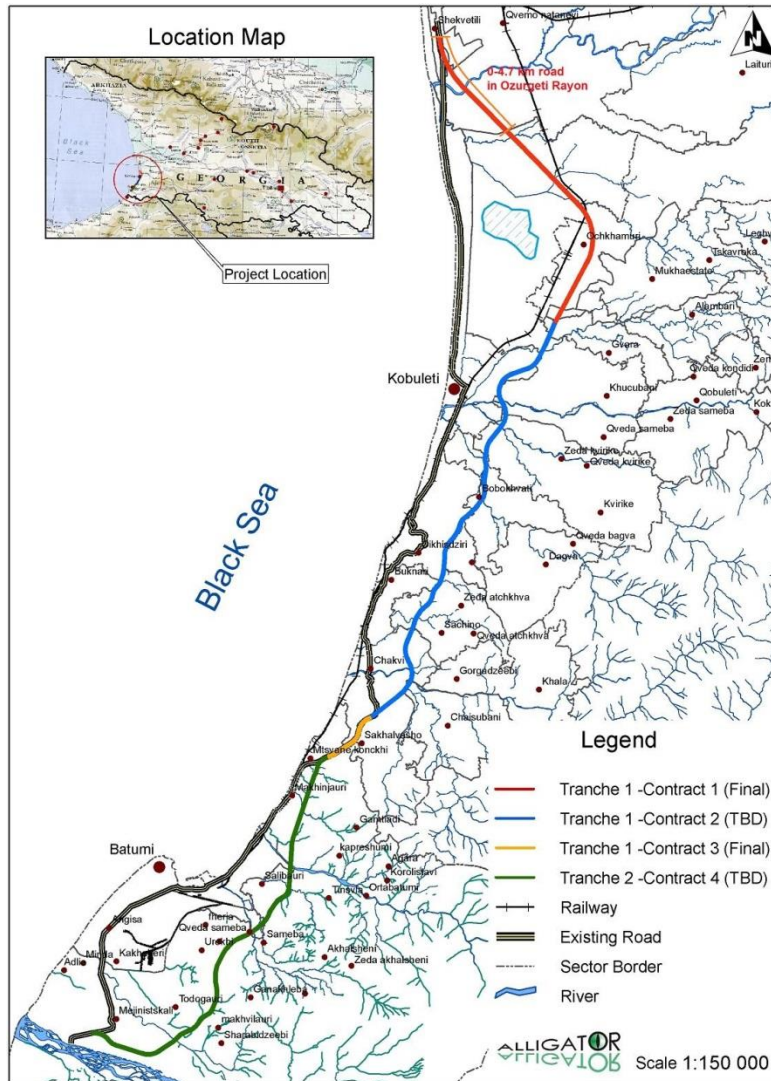


Country : Vietnam
Client : Ho Chi Minh People' Committee
Contractor : GS E&C
Buyer : Vinh Hung JSC
Period: 2011 - 2013
Records of supply: Spherical bearing,
Expansion joint(Rail, Finger type)

Major Experience



Ajara Bypass development project(Poti – Batumi)

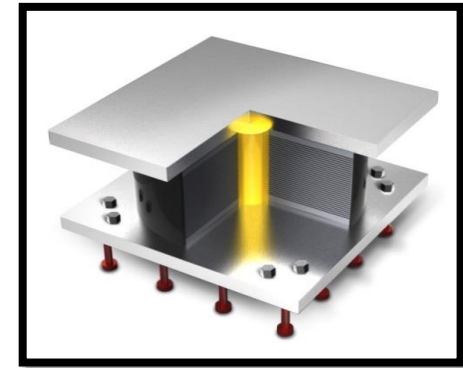


Country : Georgia
Client : Ministry of regional development
of Georgia
Contractor : Synohydro
Buyer : Arfen Turkey
Period: 2014 - 2015
Records of supply: LRB, FPB

Major Experience



Banegas bridge construction project



Country : Bolivia
Client : Bolivia government
Contractor : Hyundai development
Buyer : BNG Consultant
Period: 2014 - 2015
Records of supply: LRB